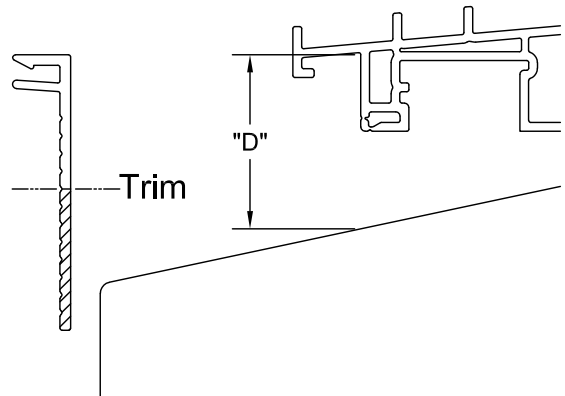
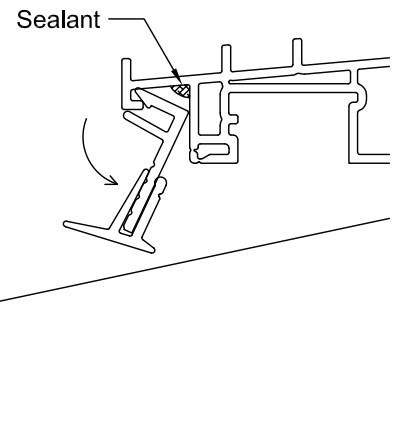


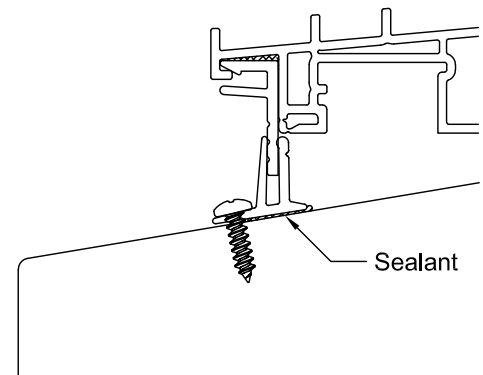
1. Measure distance from underside of vinyl sill to surface of RO sill, "D", and trim vinyl sill angle approximately 1/4" shorter than this dimension. (See alternate non-adjustable method at bottom for low-slope sills)



2. Apply a small bead of adhesive sealant to the underside of the vinyl sill (too much sealant may resist fully seating the sill angle).
Slide the adjustable foot onto the end of the sill angle and rotate vinyl sill angle into place as shown, firmly seating in sealant



3. Apply sealant below adjustable foot and slide foot down to meet RO sill surface. Foot can be held in place with small pan head screws if necessary.



Alternate Non-Adjustable Application: If there is not enough room for use of the adjustable foot, or if preferred, trim sill angle in step 1 to match the opening dimension "D". Apply sealant under vinyl sill and rotate sill angle into place without attaching adjustable foot. Seal bottom edge of sill angle and, if desired, use pan head screws to hold in place.

